

 **IDEA**

EXO66 / EXO66-A

Multipurpose High-Output Mini Monitor



FEATURES

- Very high power density. Super-compact form factor
- High-Power 6.5" Woofer + 6.5" Coaxial woofer with 1.75" compression driver
- Premium European high efficiency custom IDEA transducer
- Flat response without DSP with any amplifier (EXO66)
- Rugged and durable 15/18 mm Birch Plywood construction and finish
- Weatherized Aquaforce paint

APPLICATIONS

- Very compact portable professional sound reinforcement system
- A/V portable and installed sound reinforcement
- Mobile entertainers and voice reinforcement
- FG/BG music reproduction in distributed audio installed solutions



EXO66 features a 6.5" coaxial and a 6.5" MF woofer

OVERVIEW

EXO66 is a stylish, compact multipurpose mini monitor conceived for those applications in which high power-density with superior quality audio reproduction and optimum, unobtrusive integration are required.

The design goal of **EXO66** is to tightly package the SPL of a standard 10" loudspeaker in a cabinet compact enough to be easily transported in mobile and portable sound reinforcement applications and to be discreet and elegant in any installation project (RAL colors available on demand), while using the same materials and finish that are found in the Touring Sound larger loudspeaker systems of the IDEA product portfolio.

EXO66/ EXO66-A feature a 6.5" Coaxial and a high performance 6.5" woofer, in a very compact cabinet. This configuration delivers pristine audio clarity at any level with minimum distortion, making the **EXO66** a pleasure to listen to, due to the excellent definition of the HF section and the natural fast and controlled transient response of the custom 6.5" IDEA LF woofers, which are some of the most powerful transducers of its kind available in the market today.

Together with **BASSO24t**, **EXO66** will turn into a really versatile, powerful multipurpose combo for a variety of applications, both as their active or passive system.

Entertainers, musicians and DJs benefit from the advantages of such power-density, as much as AV rental companies, just like premium installations and AV/Multimedia facilities find an excellent choice for superior audio reproduction in the tiny, refined and powerful **EXO66**.





EXO66

The very compact passive loudspeaker **EXO66** is the ideal solution for any mobile and portable application, as well as distributed audio installations, where high power-density professional sound-reinforcement equipment is required.

EXO66 with BASSO subwoofers systems can be powered by QSC's PLD4.2 and PLD4.5, that include dedicated factory presets for optimal setup and performance of the system, as well as with DSP presets for IDEA Processors with 3rd party amplifiers

High-Output 2.2 Portable PA system configuration



This setup shows a high-output mobile configuration with a superior power-density.

2 x EXO66 and 2 x Dual-12" band-pass BASSO24t subwoofers powered by a QSC's 1U-amp PLD 4.5 or other third-party amplifier solution with TE0d8 processor.

Basic 2.1 Mobile AV Audio configuration



The more basic setup features 2 x EXO66 and a single-18" direct-radiation BASSO18 subwoofer powered by a QSC's 1U-amp PLD 4.2.

EXO66-A, ACTIVE VERSION

The active version of **EXO66**, **EXO66-A**, features a dual-channel 2 x 400 W Class-D amplifier with integrated DSP with the latest generation power modules by Powersoft.

Together with BASSO24t-A, a self-powered 3 kW 2x12" band-pass subwoofer, EXO66-A delivers a reliable, high performance plug-and-play solution for A/V and portable applications that require professional SPL level and the highest standards in audio quality.

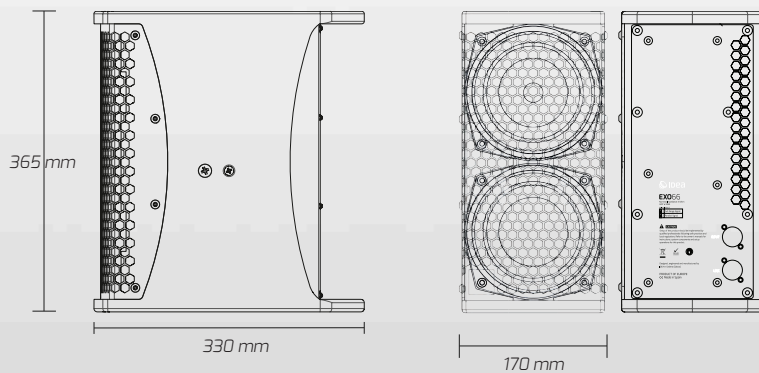
TECHNICAL DATA

Enclosure design	Trapezoidal cabinet · Bass-Reflex
Transducer Configuration	High Power 6.5" woofer High Power 6.5" + 1.75" Coaxial Compression Driver
RMS Power Handling *	400 W
Nominal Impedance	8 Ohm
Peak SPL (Continuous/Peak)	120/126 dB SPL
Frequency Response [-10 dB]	96 -18,000 Hz
Nominal Directivity (H/V)	75° x 75°c
Dimensions (WxHxD)	170 x 365 x 330 mm (6.7 x 14.4 x 13 inch)
Weight	13.5 kg (28.6 lbs)
Connectors +/-1 +/-2	2 x Neutrik speakON® NL-4 in parallel Input Link
Cabinet Construction	15 + 18 mm Birch Plywood
Grille	1.5 mm perforated weatherized steel with protective foam
Finish	Durable high resistance paint coating process
Handles	2 integrated handles
Installation	Bottom 36 mm pole mount socket
Accessories	U-bracket vertical (UB-E66-V), pole, tripod

* IEC filtered pink noise with a 6dB crest factor, 2 hours.



TECHNICAL DATA





IDEA is always in pursuit of better performance, greater reliability and design features.
Technical specifications and minor finish details may vary without notice in order to improve our products.
©2016 - I MAS D Electroacústica SL - Av. Constitución 5-9 46009 VALENCIA